

TechLine[®] MFG.

CONDENSATE CHAMBERS / SEAL POTS



TechLine Condensate Chambers / Seal Pots

Typical Applications

Condensate Chambers/Pots: Condensate Chambers are used to collect and accumulate condensate and extrinsic particles. Condensate chambers aid in protecting delicate instruments with smaller orifices from becoming damaged or clogged by foreign debris. The bottom connection is used as a drain port to remove condensate. Condensate chambers can also be used to cool very high temperature liquids.

Seal Pots : Seal pots are used to provide a liquid seal between the process instrument and gases such as steam. Its function is to keep the liquid level constant in the impulse tubes (sensing lines), while preventing steam or corrosive liquids from reaching the instrument.

Techline Mfg. Condensate Chambers & Seal Pots are fabricated from seamless pipe. A variety of materials and wall thicknesses are available to meet a customer's design pressure and temperature.

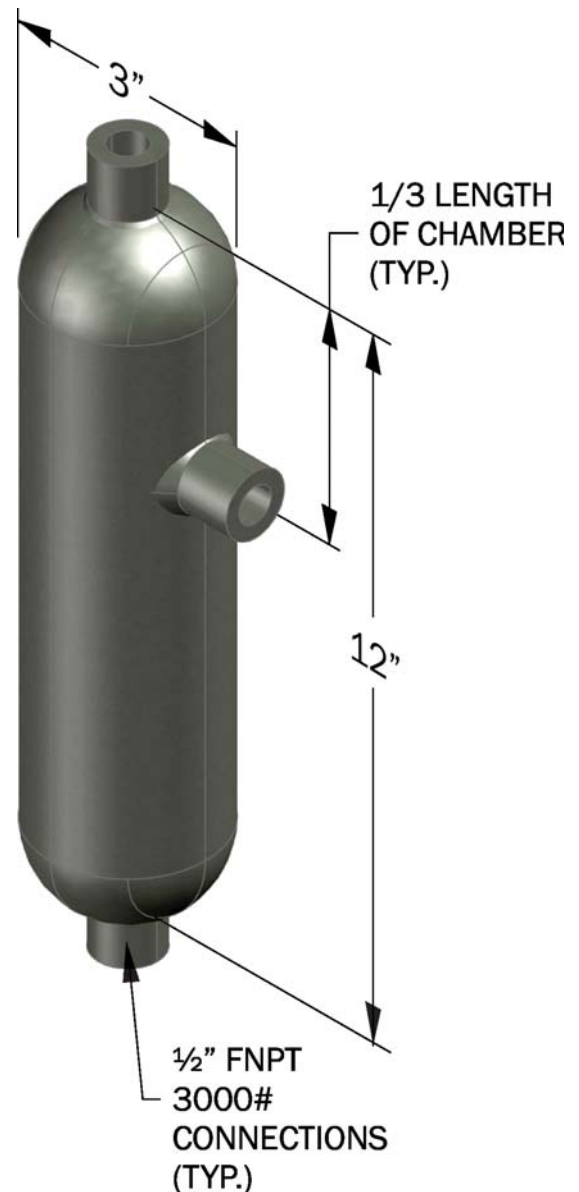
Standard stock chambers are 3" pipe, 12" long with three (3) ½" FNPT connections in Schedule 80 316 Stainless Steel or Carbon Steel. Expedited delivery is available for non-stock chambers.

All chambers are hydro pressure tested and certified prior to shipping. X-Ray & Dye-Pen testing are available upon request.

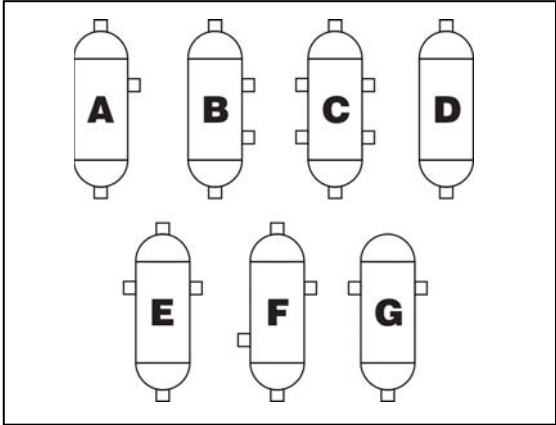
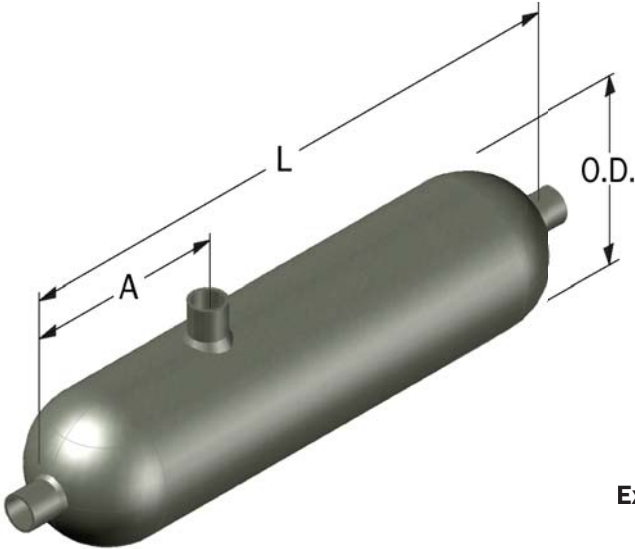
ASME Standards

Techline manufactures to ASME standards. If an ASME U or S stamp is required, please request on quote and we can provide pricing according to your specific need.

Typical Chamber Dimensions



TechLine Condensate Chambers / Seal Pots



Example: **TLDP - 3 - 12 - CS - XH - F - 8**

Basic Part:
TechLine Drip

Size of Pipe: (2", 3", 4", 6", etc.)

Length of Chamber From End Cap to End Cap:
(6", 7", 8", 9", 10", 11", etc.) ** 12" Standard Length

Material Finish:

Carbon Steel=CS	Chrome 22=P22
304 SS=SS	Chrome 91=P91
316SS=316SS	Hastelloy =HC
Chrome 11=P11	Galvanized=GV

Wall Thickness of Pipe:

- Standard S/40=S
- Extra Heavy S/80=XH
- Schedule 160=S/160
- Extra Extra Heavy=XXH

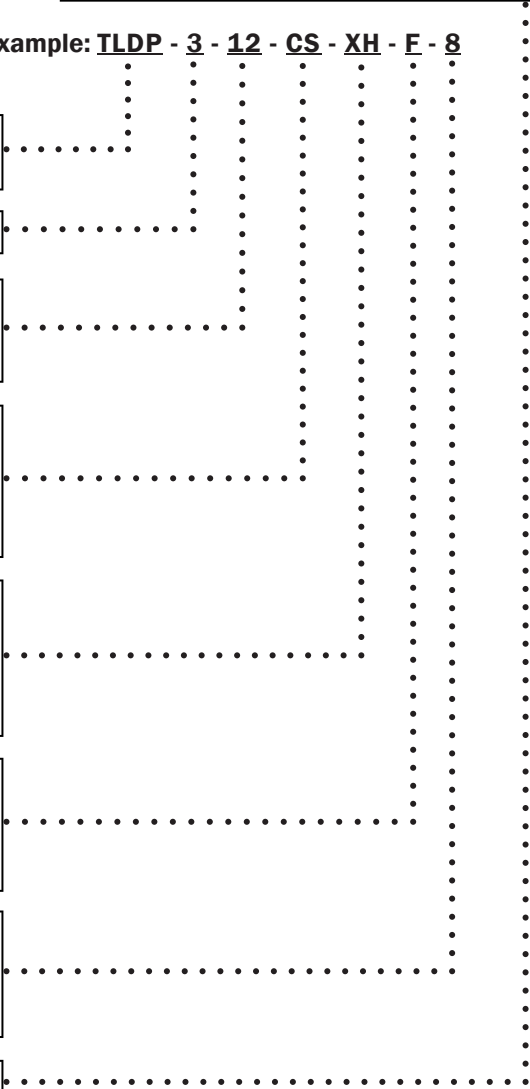
Connection Style (Code) :

- Female NPT = F
- Socket Weld = S
- Special = X

Connection Size (Code) :

1/4" = 4	3/4" = 12
3/8" = 6	1" = 16
1/2" = 8	Special = X

Port Configuration



TechLine[®] MFG.



Techline Manufacturing

30516 Sgt. E.I. Boots Thomas Dr. • Spanish Fort, AL 36527
Toll Free: 1-800-395-3369 • Local 251-380-7300 • Fax 251-380-7301
www.techlinemfg.com

Your Local Authorized Techline Distributor: